

2.1.4.3 AO672 Analog Output Module

Analog Output 672 (1 groups of 8 current Analog outputs)

2.1.4.3.1 Features

- 8 channels for 0...20mA, 4...20 mA
- 1 group of 8 channels
- EMC protection
- 14 Bit resolution
- Field power distribution
- EMC protection

2.1.4.3.2 Diagnostics

- a. Internal Bus Warning
- b. Missing Field Power
- c. Wire Break Alarm per Channel
- d. Board Over Temperature Warning
- e. Board Over Temperature Alarm (Fatal)
- a. Internal Hardware Error (Fatal)
- b. Analog Power Error (Fatal)
- c. DAC Error (Fatal)

2.1.4.3.3 LED List

- a. Power (Green).
- b. Run (Green),
- c. Standby (Green)
- d. Fault (Red)
- e. Status1 (Blink On Activity) BACKPLANE Bus 1 activity
- f. Status2 (Blink On Activity)BACKPLANE Bus 2 activity
- g. Channel indicator: One LED (Green) per each output value

2.1.4.3.4 Description

This module provides 8 loop power current outputs. Each output can be individually configured on range 4-20mA.

Every input channel consists of current limiting components, EMC protection components, input state indication LED and optical isolation barrier.

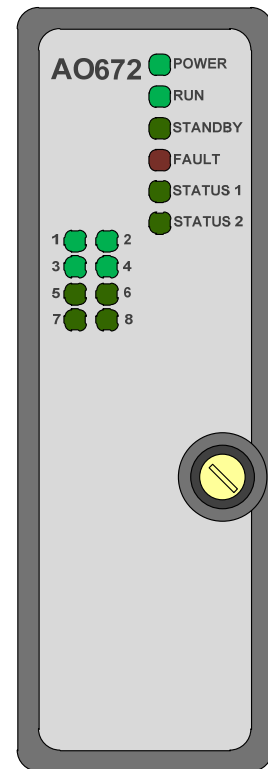


Figure 2-28: AO672 Front View

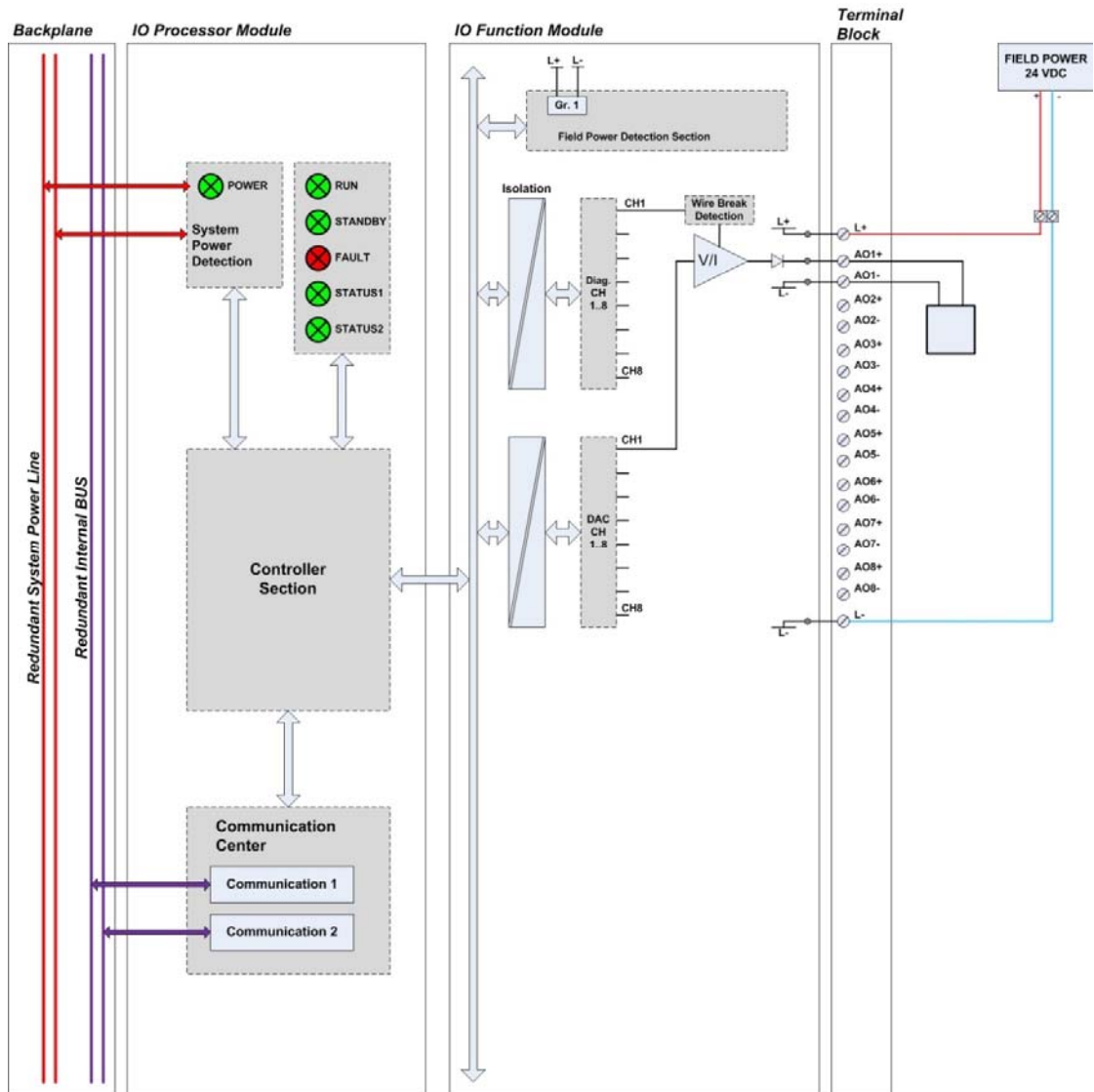


Figure 2-29: Schematic of AO672 Module

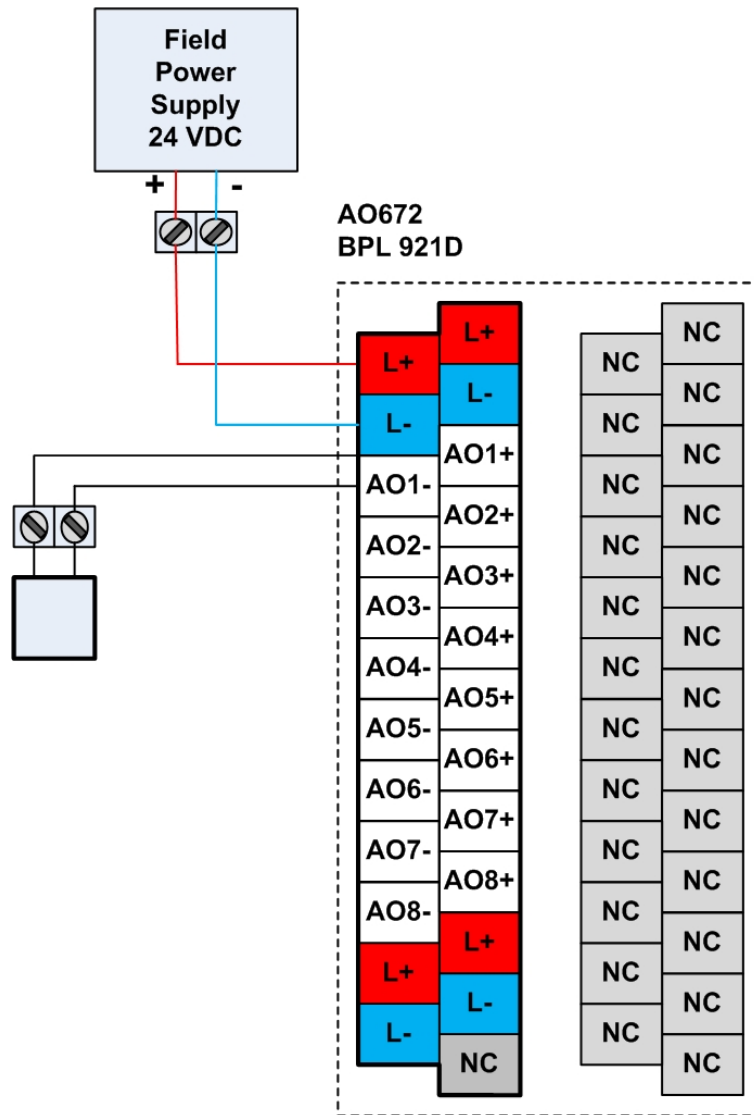


Figure 2-30: AO672 Wiring for BPL 921D Terminal

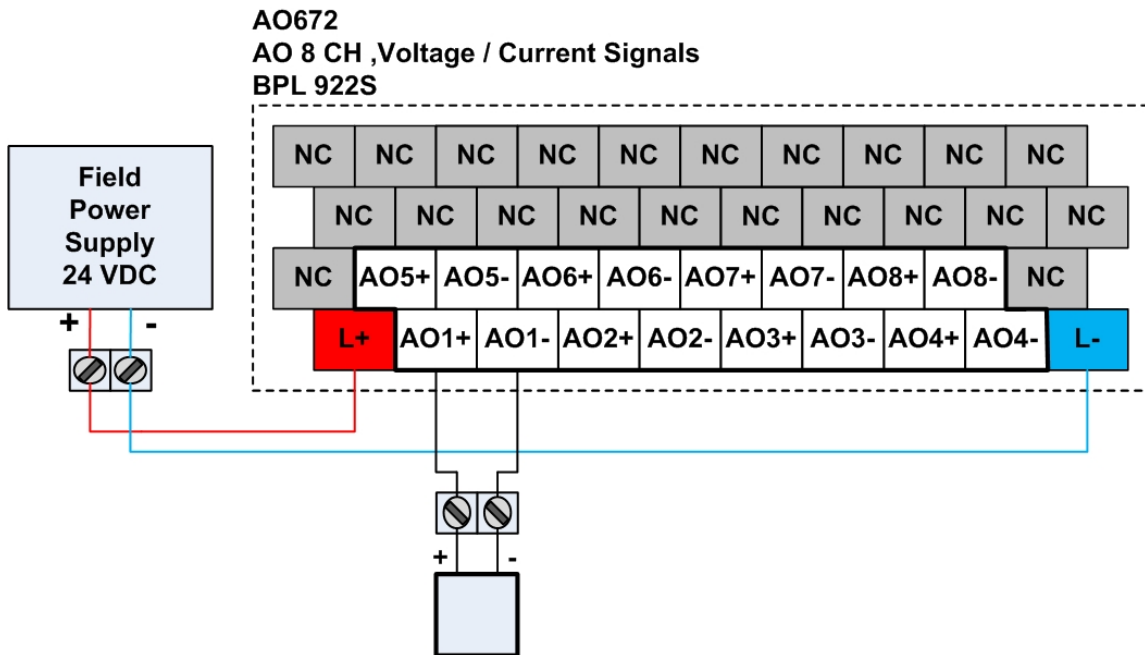


Figure 2-31: AO672 Wiring for BPL 922S Terminal

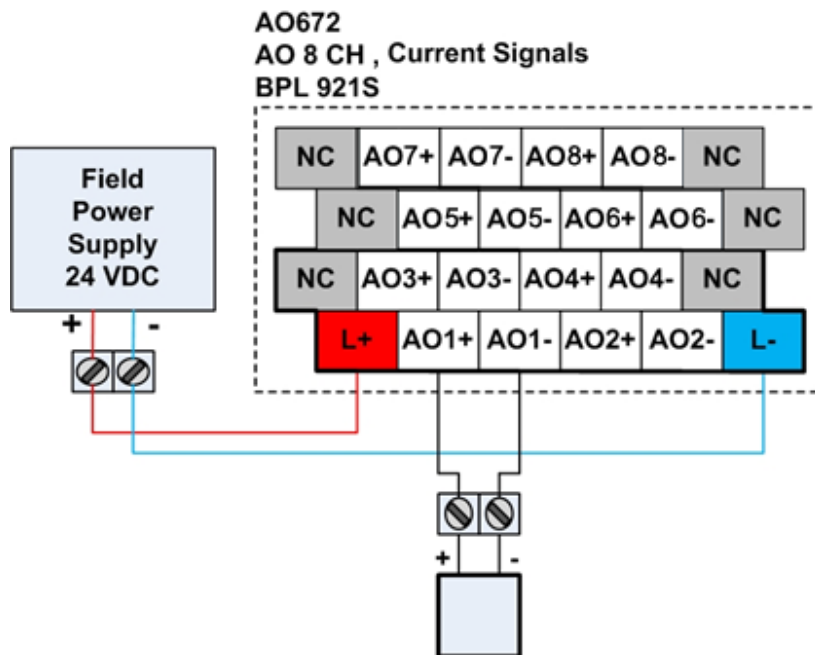


Figure 2-32: AO672 Wiring for BPL 921S Terminal

Table 2-13: AO672 Specifications

Label	AO672	
Number of channels	8	
Output Range	Current	0/4-20mA
Minimum load impedance for voltage outputs	500Ω	
Maximum load impedance for current outputs	600Ω	
Maximum load impedance for capacitive loads	1μF	
Maximum load impedance for inductive loads	10mH	
Diagnostics	Missing Analog Power, Missing Field Power, Wire Break, Internal Hardware Error, Board Temperature	
Resolution	14 bits	
Accuracy	±0.1%	
Accuracy over temperature range	0.25% maximum	
Nonlinearity	-1/+2 LSB max	
Settling time	5ms	
Maximum Output current	21.8 mA	
Current output Maximum open circuit voltage	±14V	
Rated supply voltage	24V DC	
Permitted supply voltage range	18V DC to 30V DC	
Power consumption (from backplane bus)	Maximum : 2W	
	Typical : 1.4W	
Operating temperature	-40°C to +85°C	
Storage temperature	-40°C to +85°C	
Relative humidity	5% to 95%	
Reference Standard	IEC 61131-2	
Dimensions (H x W x D)	140mm x 116.5mm x 45mm	